



COMMERCIAL PARTNER



AJBAN ISV

Internal Security Vehicle

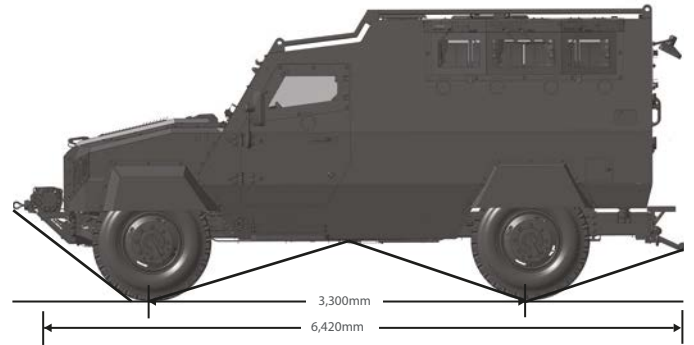
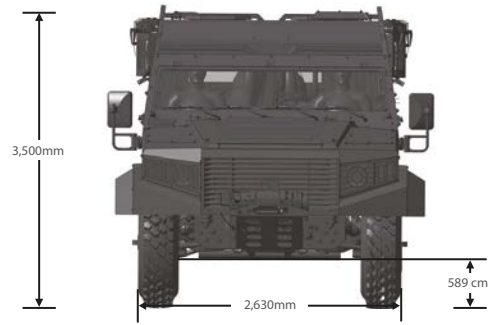
*Conquer The Elements
Gain The Advantage*



AJBAN ISV

The NIMR AJBAN Internal Security Vehicle (ISV) is a fast deployment internal security, riot and crowd control personnel carrier. The vehicle is designed to transport up to ten fully equipped troops both on and off road in all weather conditions. Featuring a military grade armoured cabin, the base ISV can withstand a variety of ballistic threats and other threats typical in riot situations such as fire.

NIMR vehicles are designed to meet military standards, with their lifespan far exceeding that of militarised commercial vehicles, up-armoured vehicles or those based on commercial drivelines. ISV is available with a wide range of non-lethal crowd control systems and mission equipment to meet a variety of customer requirements.



Specifications

Length (with dozer blade)	6,420 mm
Width	2,630 mm
Height (with acoustic device and laser dazzler device)	3,500 mm
Wheelbase	3,300 mm
Payload	1,200 kg
Gross weight	10,400 kg
Ballistic and blast protection	As per mission requirements
Cruising range	700 km @ 100 kp/h
Maximum crew	2 + 8
Operating temperature	-19°C to +49°C
Turning circle (curb to curb)	14.5 m
Transmission	6 speed automatic
Brake type	Dual circuit air-over hydraulic
Engine power	221 kW (296 hp) @ 2,500 rpm
Engine torque	1,100 Nm @ 1,500 rpm

Technical specifications are subject to change without prior notice.

AJBAN ISV Standard Features

- 10 fully equipped crew, including riot shields
- Front and rear air-conditioning units
- Run-flat tyres
- Central tyre inflation system
- Fire suppression system for cabin, engine, wheel arches and the roof
- Air-filtration for chemical smokes such as CS gas
- Gun ports for all crew
- Two escape hatches
- Windshield and side windows protected by screen mesh
- Doors equipped with combat locks.

AJBAN ISV Optional Systems

- Local Situation awareness system (360° camera)
- Driver night vision system
- Day/Night Camera system
- Front dozer blade for barricade clearance
- Police lights and siren
- Non-lethal crowd management system with acoustic and laser dazzler device
- Spotlights
- Winch
- Smoke grenade launchers
- C4I communication system

